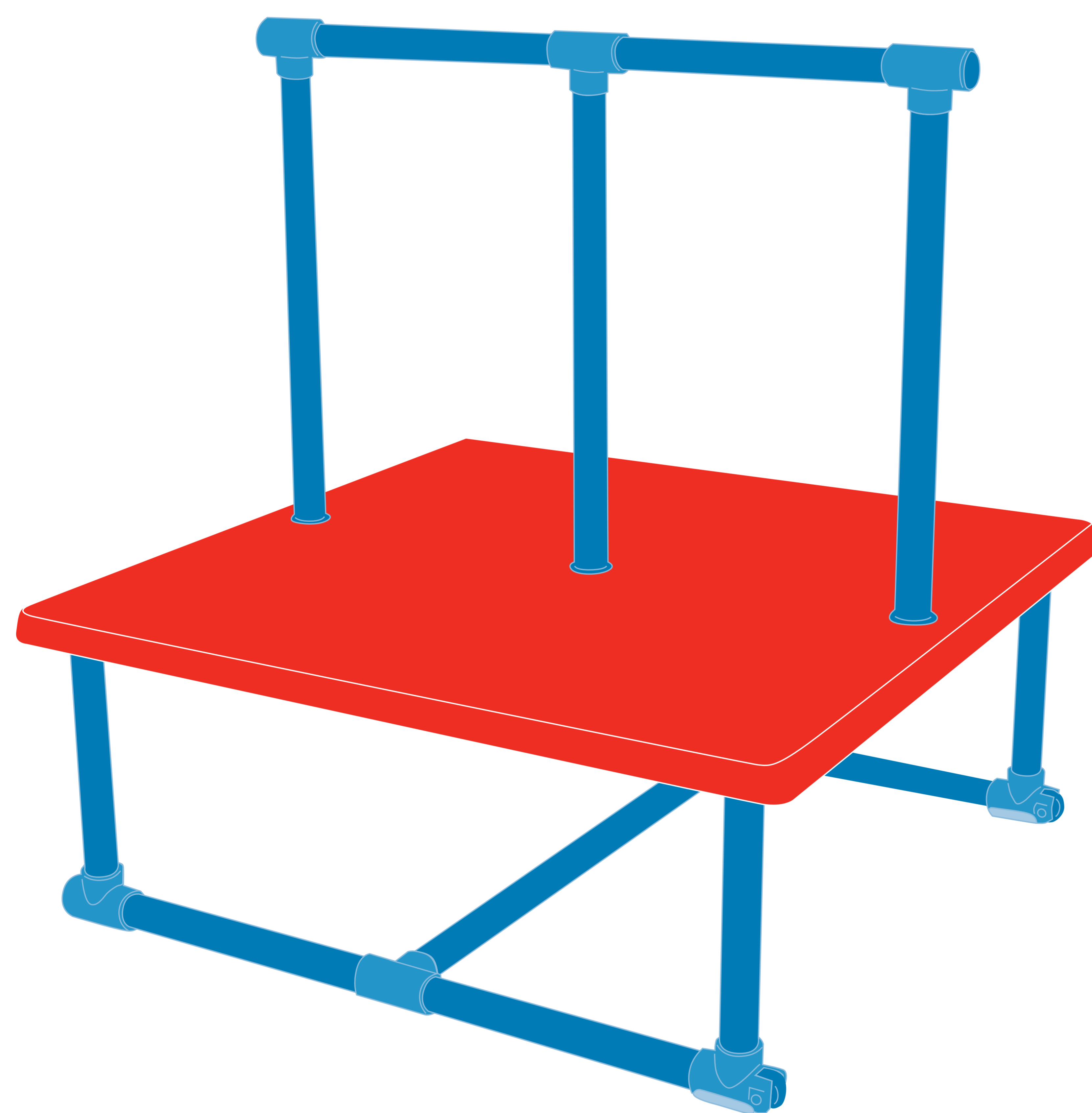


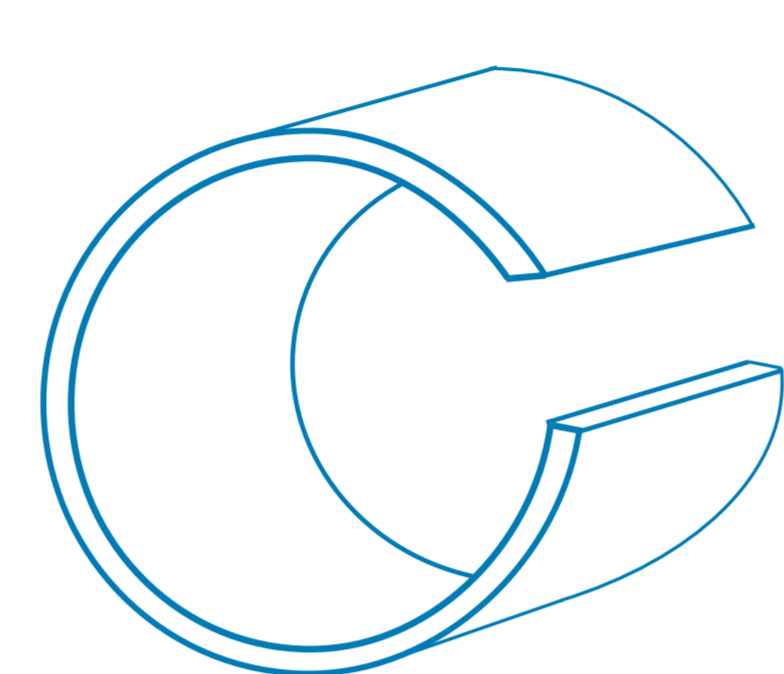
# KIRBY SWIM EQUIP

## Swim Teaching Platform

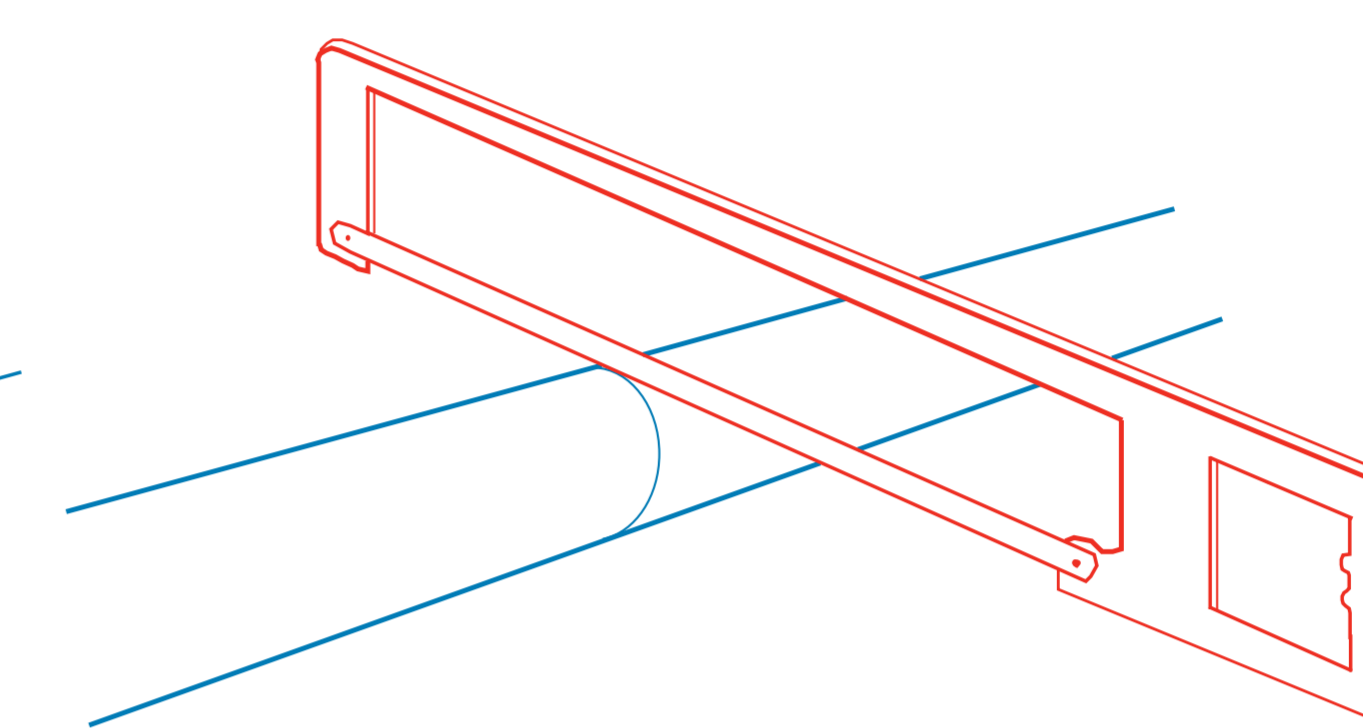
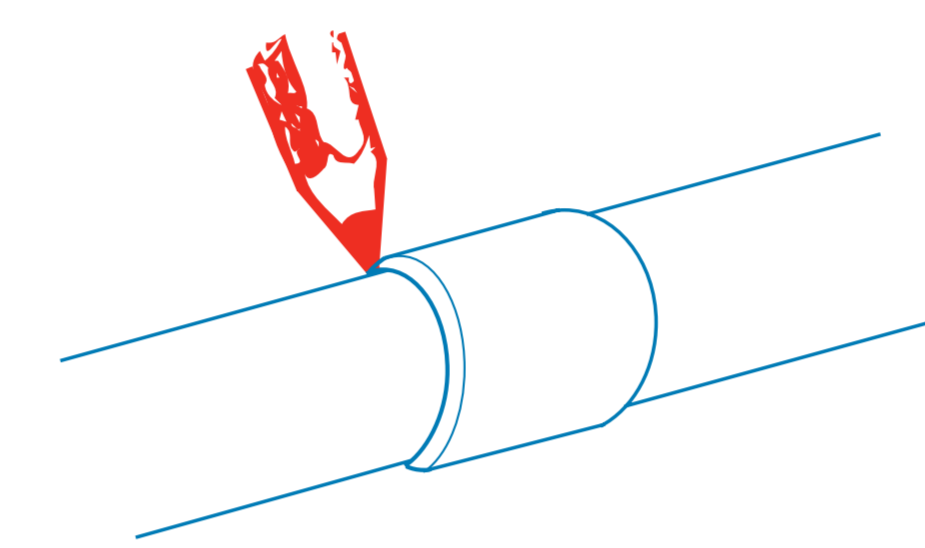


## Assembly Instructions

### STEP 1



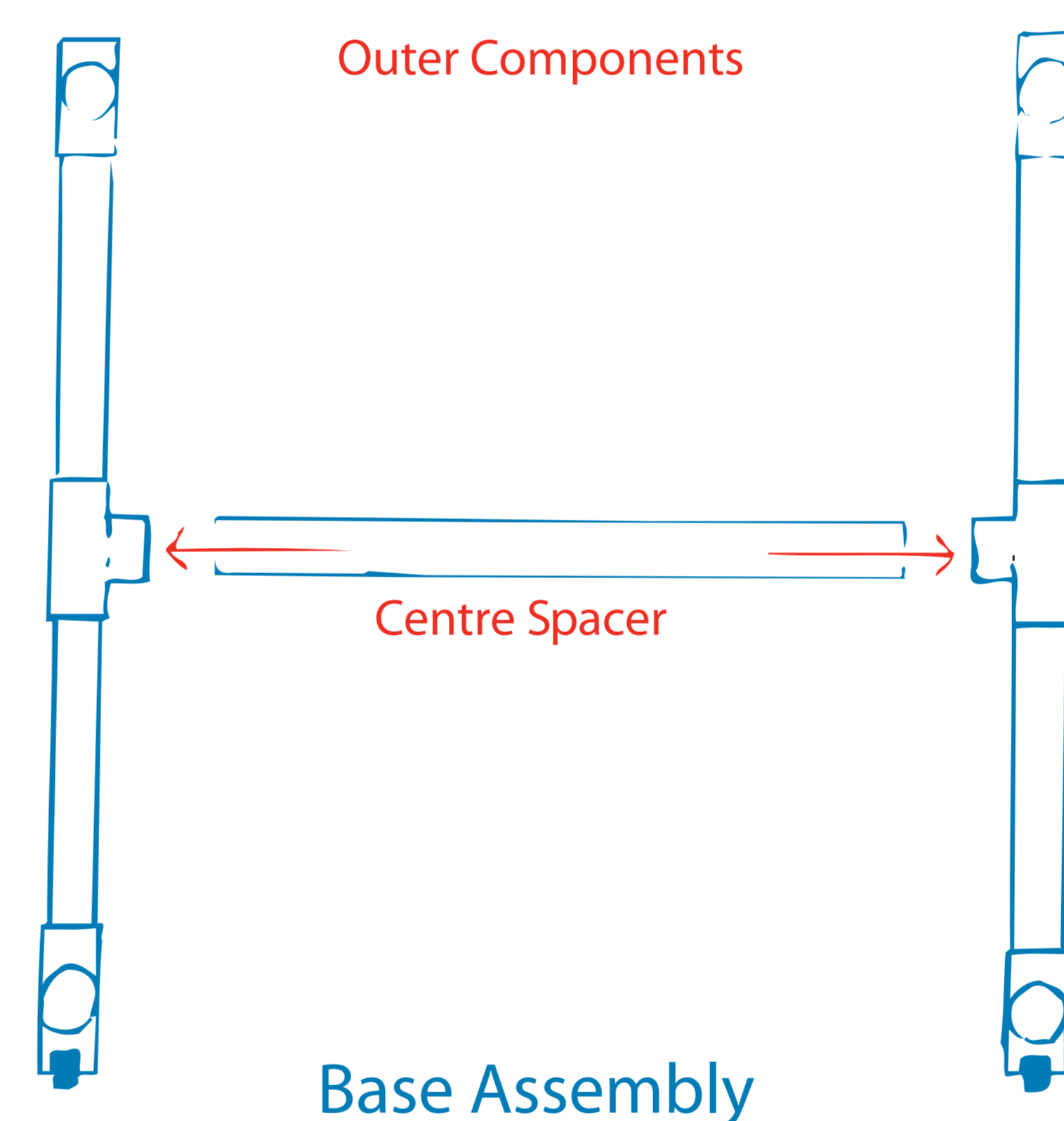
Cutting Clip



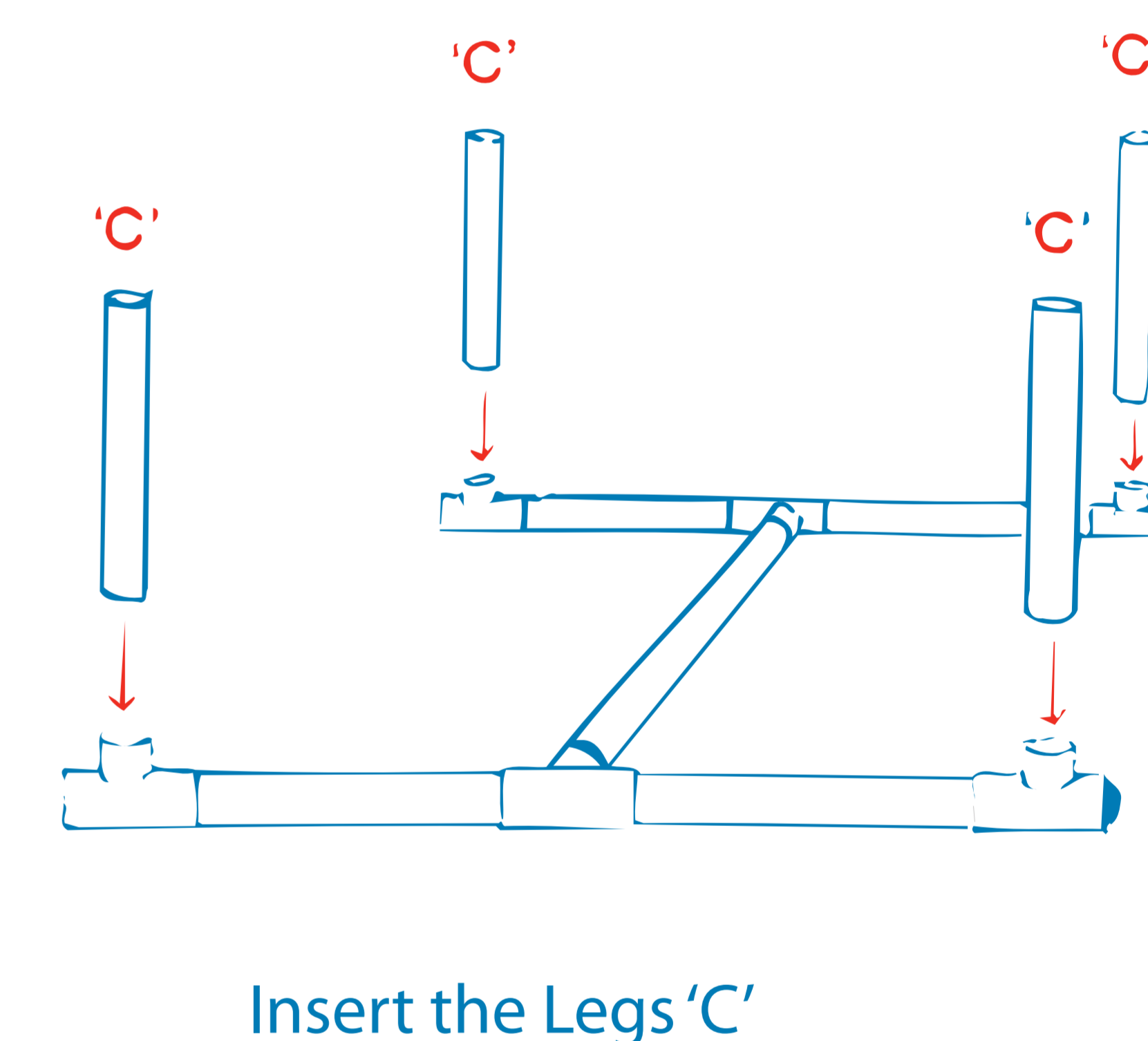
Use the cutting clip to trace around the legs 'C' at the calculated length attained from using the Leg Length Table. Then with the hacksaw ensure the cut follows the line drawn. Take care so that all the legs are of equal length.

Leg Length for Pool Depth	
Pool Depth	Cut Leg Height
900	130
950	180
1000	230
1050	280
1100	330
1150	380
1200	430
1250	480
1300	530
1350	580
1400	630
1450	680
1500	730

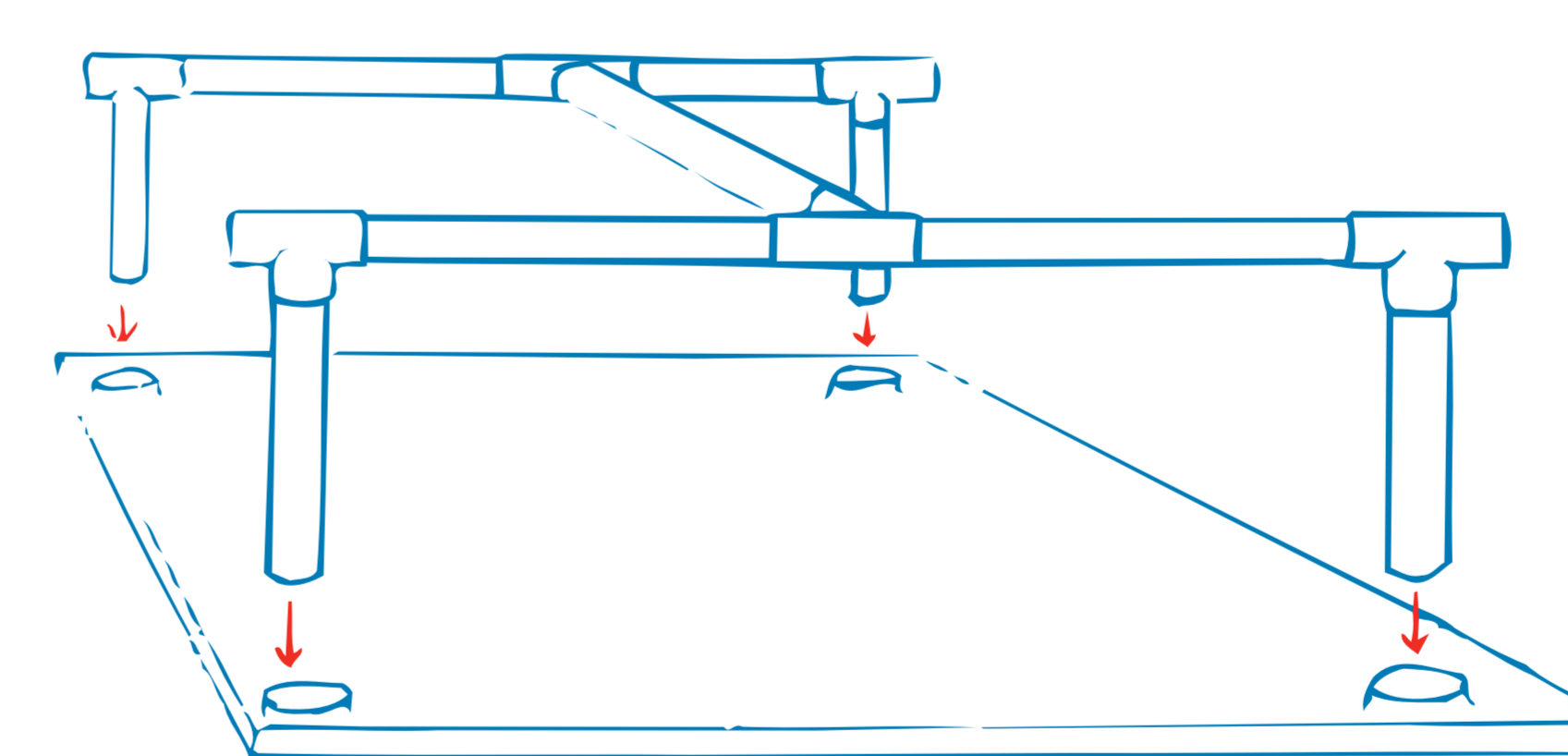
### STEP 2



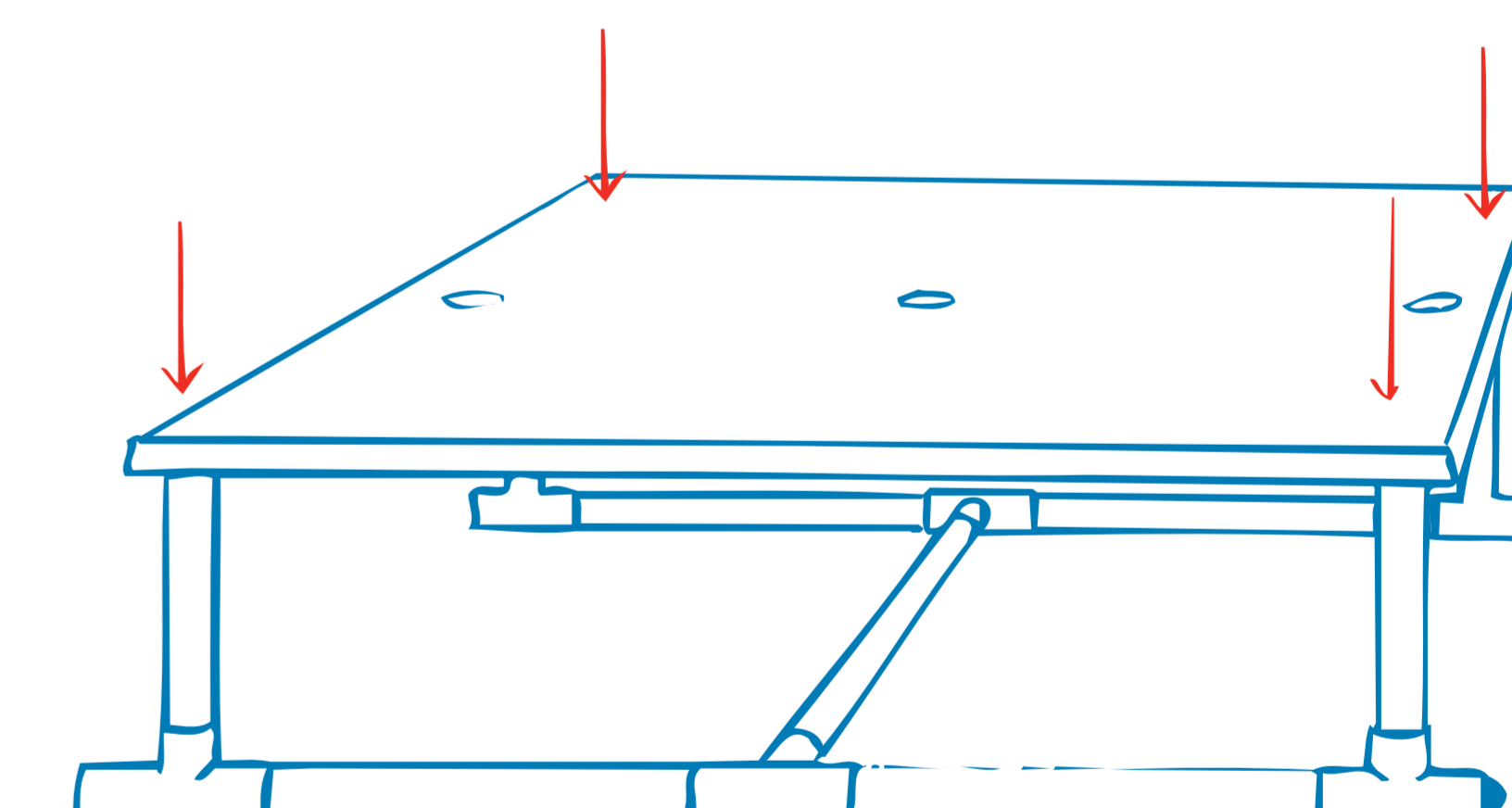
### STEP 3



### STEP 4

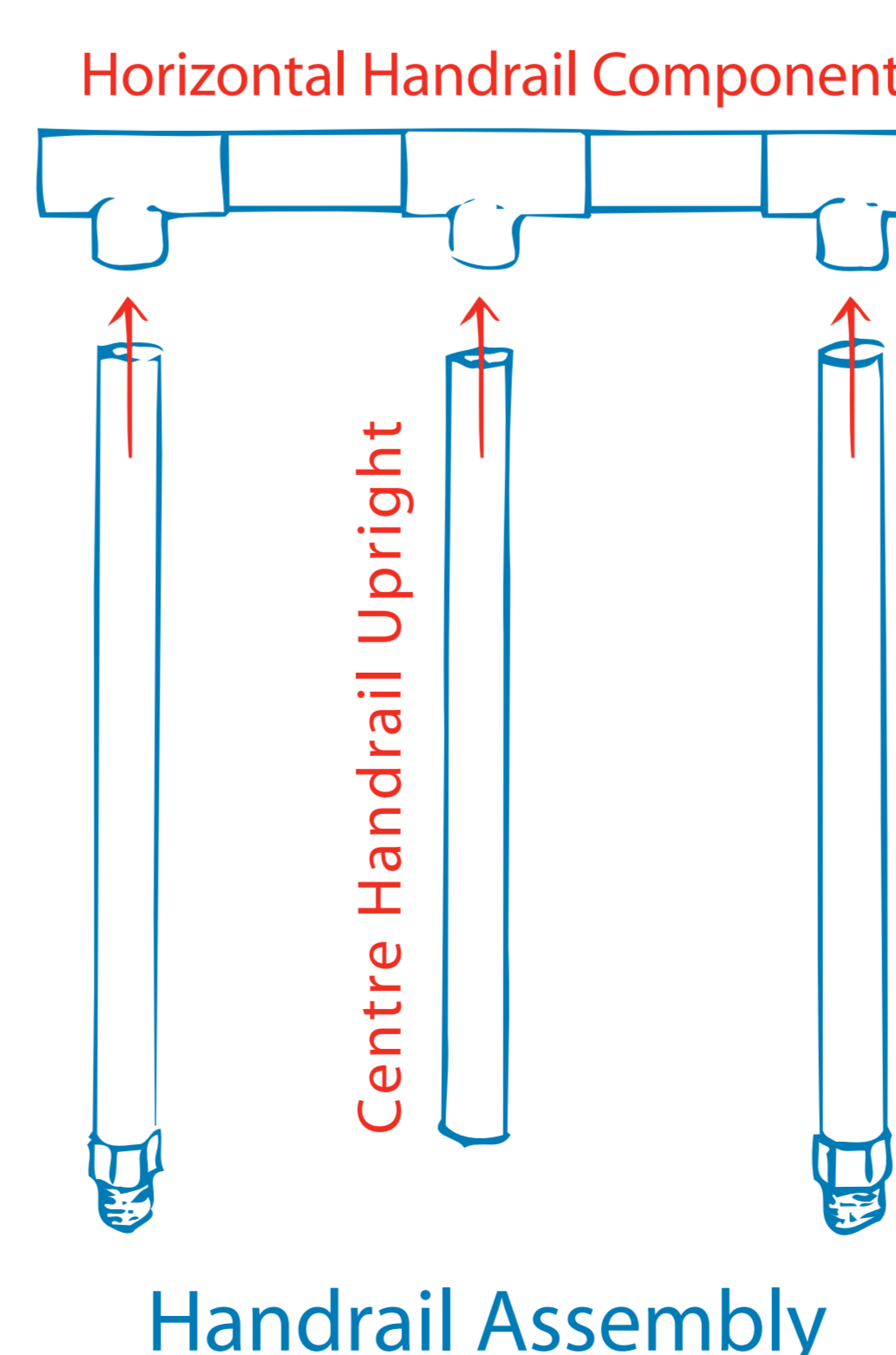


Flip over and apply pressure on all four corners for 30 seconds.



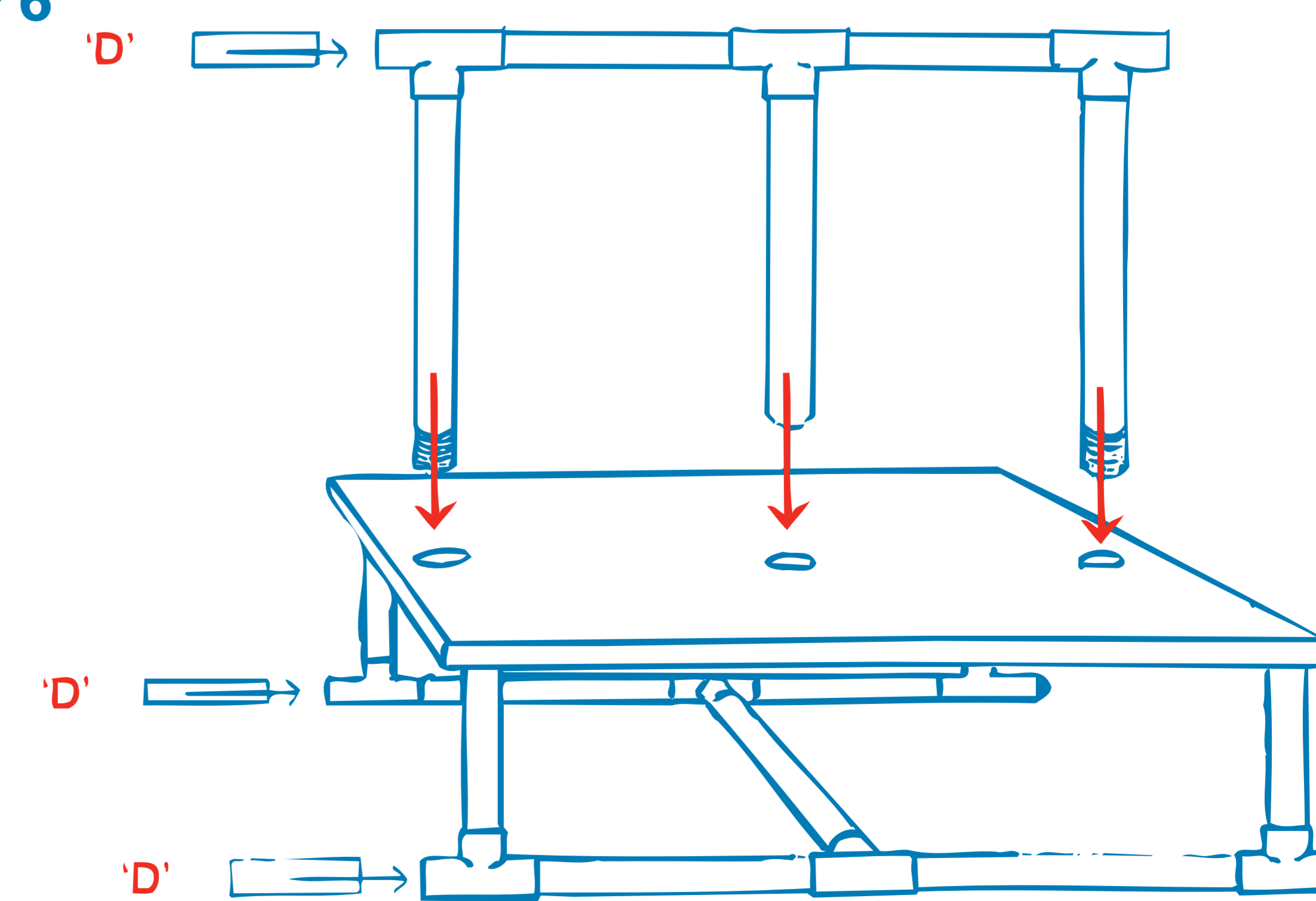
Attaching the Platform to the Base Assembly

### STEP 5



Handrail Assembly

### STEP 6



Attaching the Handrail (and the connectors 'D')

\*Connectors 'D' not included, contact supplier to obtain 'D'

## Swim Teaching Platform Assembly Instructions

### CONTENTS CHECK LIST

- a) Red platform
- b) Handrail Assembly (4 components)
- c) Cutting clip
- d) Base Assembly (3 components)
- e) 4 corner legs 'C'

\*primer and UPVC cement not included

Before assembly please read the following assembly tips-

1. The four legs supplied are extra long in order to allow for different pool depths and need to be cut to the correct length to suit the pool depth where the Swim Teaching Platform is to be used.
2. To help achieve a straight cut, on all 4 legs 'C' use the cutting clip supplied.
3. You need to purchase priming fluid or acetone (250ml is plenty) and ClearUPVC Cement (125ml).
4. Priming refers to preparing the surfaces to be cemented together. For optimal adhesion between two PVC surfaces both surfaces need to be primed with UPVC primer or acetone before cementing. With a piece of cloth apply and rub the primer or acetone to all the surfaces to be cemented (The end 30mm of the male end and the entire female surface/socket).
5. Cementing- Apply the UPVC cement to both primed ends of PVC (the end outside 30mm of the male end and the 30mm inside female surface/socket) Without allowing the cement to dry, push the PVC components together until fully home and hold with pressure for 30 sec. DO NOT RUSH THIS PROCESS IT CAN TAKE AS LONG AS 30 SECONDS FOR THE CEMENT TO SET.
6. Assembly by two persons is advised. In warm climates it is better to assemble the Swim Teaching Platform in an airconditioned room away from any draft.

### Step by Step Instructions

- 1) **Cutting the legs 'C' to suit**  
Measure the water depth where the Swim Teaching Platform is to be used (do not rely on the poolside markings they are often incorrect). Use the 'Leg Length Table' to calculate the recommended leg length. Mark all four legs to that same length and using the cutting clip, cut the legs with a standard Hack Saw.
- 2) **Assembling the Base Assembly**  
Remove all components of the base assembly on a flat, level and non-scratch surface. Prime and apply cement to the end 30mm of one end on the centre spacer and to the primed inside of one of the centre sockets on one of the outer components. Once this is done insert the cemented end of the centre spacer into the cemented centre socket until fully home and hold for 30 seconds. Repeat this process for the opposite side, ensuring that the base assembly is held down on the flat surface.

- 3) **Attach the legs 'C' to the Base Assembly.**  
With the base assembly on a flat, level and non scratch surface prime and apply cement to the end 30mm on one end of a cut corner leg 'C' and a corner socket on the base assembly. Once this is done insert the cemented end of leg 'C' into the cemented corner socket until fully home and hold for 30 seconds. Repeat this process for the other 3 legs 'C'.
- 4) **Attaching the Platform to the Base Assembly**  
Place the red platform on a flat, level and non-scratch surface with the underside facing upwards. Ensure that the end 30mm of each leg 'C' and all four corner sockets on the underside of the platform are primed. Then liberally apply cement to the end 30mm on all four legs and all four primed corner sockets on the platform. Orientate the platform and the base assembly and push each leg into each socket on the underside of the platform and immediately turn the platform the correct way up and push down on the platform to ensure all legs 'C' are fully home. Apply pressure on all four corners for at least 30 seconds.
- 5) **Assembling the Handrail**  
Prime all surfaces to be cemented, on the uprights and the inside of the sockets of the horizontal component. Apply cement to the top 30mm of one of the outer handrail uprights (with the nut extension on the opposite end) and the inside of an outside socket of the horizontal handrail component. Push the upright into the horizontal component until fully home keeping the pressure on the joint for 30 seconds. Repeat this process for the other outer upright with the nut extension and then for the plain centre upright.
- 6) **Attaching the Handrail assembly to the platform.**  
Remove the two nuts from the outer handrail legs. Insert the three uprights into the three sockets on the top-side of the platform, gently applying pressure to the top of all three uprights. Once the handrail is sufficiently inserted into the platform attach the two nuts to the outer uprights on the underside of the platform. DO NOT OVER TIGHTEN THESE NUTS, just finger tighten until the nut reaches the platform.
- 7) **If you're planing to inter-connect platforms to form a long platform-**  
(Swim Teaching Platform connector components are not supplied with every unit, please contact Kirby Swim or your place of purchase to get these connectors 'D'). Prime the end 30mm of the three connectors 'D'. Then apply to the UPVC cement to the end 30mm and to the end of one of the outer components of the base assembly (see diagram). Push the cemented components together until fully home and hold for 30 seconds. Repeat this process with another connector and the adjacent outer component of the base assembly (see diagram). Finally repeat this process with the third connector component which is to be inserted into the same end but up into the handrail assembly. These connectors are designed to fit perfectly into the sockets of an adjacent platform to create a long and stable platform.